

## Amplified Spontaneous Emission Noise Rejection Filter



### Key Features

- Thin film filter based
- Wideband signal transmission
- High level ASE noise rejection
- Low temperature dependent loss
- Epoxy-free optical path

### Applications

- Pre-amplifiers
- WDM in-line amplifiers

### Compliance

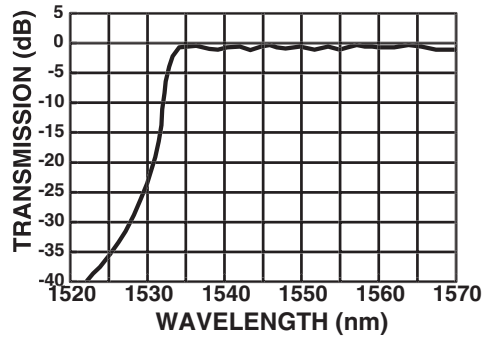
- Telcordia GR-1221

The JDSU amplified spontaneous emission (ASE) noise rejection filter uses interference filter technology to achieve wideband signal transmission and high level ASE noise rejection in erbium doped fiber amplifiers.

Stable and reliable, these high performance filters are ideal for pre-amplifier and wavelength division multiplexing (WDM) in-line amplifier applications.

2

Performance (Model 1)



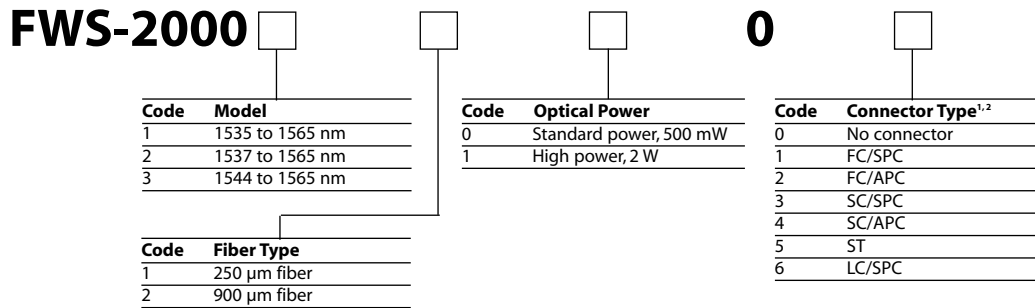
Specifications

| Parameter                              |         | Model 1         | Model 2         | Model 3         |
|--|---------|-----------------|-----------------|-----------------|
| Pass wavelength range $\lambda_P$      |         | 1535 to 1565 nm | 1537 to 1565 nm | 1544 to 1565 nm |
| Rejection wavelength range $\lambda_R$ |         | 1510 to 1530 nm | 1510 to 1532 nm | 1510 to 1538 nm |
| Insertion loss at $\lambda_P$          | Maximum | 0.6 dB          | 0.6 dB          | 0.6 dB          |
| Flatness at $\lambda_P$                | Maximum | 0.3 dB          | 0.3 dB          | 0.3 dB          |
| Isolation at $\lambda_R$               | Minimum | 20 dB           | 20 dB           | 20 dB           |
| Optical return loss                    | Minimum | 50 dB           | 50 dB           | 50 dB           |
| Polarization dependent loss            | Maximum | 0.05 dB         | 0.05 dB         | 0.05 dB         |
| Polarization mode dispersion           | Maximum | 0.1 ps          | 0.1 ps          | 0.1 ps          |
| Temperature dependent loss             | Maximum | 0.1 dB          | 0.1 dB          | 0.1 dB          |
| Tensile load                           | Maximum | 5 N             | 5 N             | 5 N             |
| Operating temperature                  |         | -5 to 75°C      | -5 to 75°C      | -5 to 75°C      |
| Storage temperature                    |         | -40 to 85°C     | -40 to 85°C     | -40 to 85°C     |
| Package dimensions (D x L)             |         |                 |                 |                 |
| 250 $\mu\text{m}$                      |         | 5.5 x 35.5 mm   | 5.5 x 35.5 mm   | 5.5 x 35.5 mm   |
| 900 $\mu\text{m}$                      |         | 5.5 x 42.9 mm   | 5.5 x 42.9 mm   | 5.5 x 42.9 mm   |
| Fiber length                           |         | 1.5±0.1 m       | 1.5±0.1 m       | 1.5±0.1 m       |

**Ordering Information**

For more information on this or other products and their availability, please contact your local JDSU account manager or JDSU directly at 1-800-498-JDSU (5378) in North America and +800-5378-JDSU worldwide or via e-mail at customer.service@jdsu.com.

**Sample: FWS-200011000**



1. Connectors available only with 900 μm fiber option.
2. Other connectors available upon request.