



JDSU solutions for cable operators installing and troubleshooting voice and data in the home/business

Integrate in-home/in-business services quickly and smoothly with JDSU combination testers

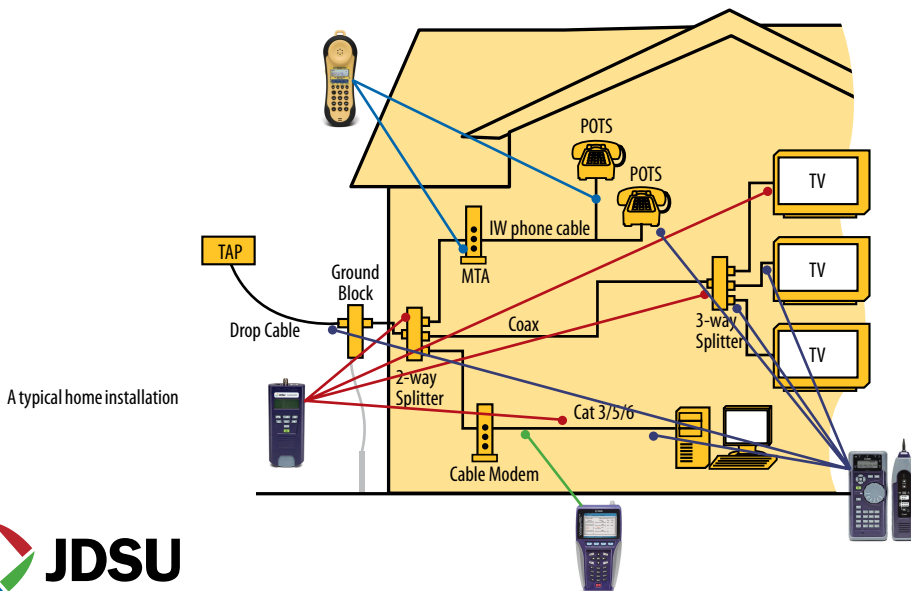
As Triple-Play networks become more complex, cable and multiple-system operators (MSOs) must identify quicker, easier methods for deploying voice, data, and video services to residences and businesses. Challenges include verifying the proper delivery of voice services over existing inside wiring (IW) twisted pair cable, data delivery, and connectivity over network cable. In some cases it also requires verifying and troubleshooting wireless networks. The JDSU portfolio of in-home/in-business-focused testers simplifies test requirements for performance of twisted pair and coax cabling, wiremapping, active network and router configuration, WiFi verification, and troubleshooting data and voice services.

Get the entire line of JDSU network and enterprise test tools through our worldwide distributor network. Find the distributor near you at www.jdsu.com/know.

Tri-Porter™ Premises Wiring Tester for Triple Play

Test physical wiring for triple play—voice, data, and video—with the Tri-Porter premises wiring tester (IVT600). The Tri-Porter performs the work of these testing tools:

- Telephone test set
- Dial tone simulator
- Network tester
- Tone generator (passes tone through coax splitters)
- Cable tester/verifier, probe with current mode for coax
- Coax mapper



Integrate in-home/in-business services quickly and smoothly with JDSU combination testers

In addition to the Tri-Porter, JDSU offers a full range of tools including workflow-driven testers:

Voice Service Verification—Telephone Test Sets

Ensure dial tone and verify services such as caller ID with the lightweight Lil' Buttie Pro™ (LB220-BT) telephone test set with LCD.



Cabling Testing—Tones and Probes and Cable Testers

Locate and verify twisted pair, coax, and network cable with Tonax™ tone generator (TG455). Test wiremapping, identify opens, split pairs, continuity, and measure length with TestifierPRO™ cable tester (TP650 or TP655).



Network Connectivity Testing—Network and Multi-Function Testers

In business service applications requiring multiple network connections, perform network testing with ping, port discovery, and hub flash with the Validator-line—Validator-NT™ Ethernet speed certifier (NT955), ValidatorPRO-NT™ Ethernet speed certifier with integrated optical power meter (NT1155).



See the full line of JDSU in-home testing products at www.jdsu.com/know.

Cable & Network Testers

Ordering Number	Description
CX200	Coax mapping tester
TP350	Testifier™ cable tester
IVT600	Tri-Porter premises wiring tester for VDV, with case
TP650	TestifierPRO cable tester
TP655	TestifierPRO cable tester kit with eight cable test remotes

LAN Ethernet Network Management Tools

NT955	Validator-NT Ethernet speed certifier with active network tests
NT1155	ValidatorPRO-NT Ethernet speed certifier with integrated optical power meter, WiFi, PoE, and active network test capability

Telephone Test Sets

LB110-BT	Lil' Buttie telephone test set with angled bed-of-nails (ABN) clips and protective rubber boot
LB220-BT	Lil' Buttie Pro telephone test set ABN clips, mini headset, and protective rubber boot
LB260-BT	Ranger telephone test set with ABN clips, ADSL/POTS filter, protective rubber boot, and rugged hook-style belt clip
LB64, LB66, LB68	Modular adapter, 4-position, 6-position, and 8-position

Tones & Probes

KP101	Tone generator TG101 with ABN clips and probe TT100 kit in a nylon pouch
KP309	Resi-Toner™ tone generator & Resi-Tracer™ probe
TG455	Tonax coax tone generator



North America
Tel: 1 866 228 3762
Fax: +1 301 353 9216

Latin America
Tel: +1 954 688 5660
Fax: +1 954 345 4668

Asia Pacific
Tel: +852 2892 0990
Fax: +852 2892 0770

EMEA
Tel: +49 7121 86 2222
Fax: +49 7121 86 1222